



REPLY TO
ATTENTION OF

AAHS-IHS (840-10a)

DEPARTMENT OF THE ARMY
THE INSTITUTE OF HERALDRY
9325 GUNSTON ROAD, ROOM S112
FORT BELVOIR, VIRGINIA 22060-5579

08 JAN 2008

MEMORANDUM FOR Commander, Headquarters, 1st Squadron, 32d Cavalry Regiment,
ATTN: CSM Felipe Paul, Fort Campbell, KY 42223

SUBJECT: Background Trimming for 1st Squadron, 32d Cavalry Regiment

1. In accordance with the provisions of AR-670-1, a background trimming is authorized for wear by members of the 1st Squadron, 32d Cavalry Regiment.
2. The description of the design is as follows:

BACKGROUND TRIMMING

An oval-shaped embroidered item 1 3/8 inches (3.49 cm) in height and 2 1/4 inches (5.72 cm) in width overall, divided diagonally from upper right to lower left, scarlet over white, with a 1/16 inch (.16 cm) yellow notch on each side at horizontal center line, with a 1/8 inch (.32 cm) yellow inner border and all within a 1/8 inch (.32 cm) black outer border.

CABLE NUMBERS OF COLORS

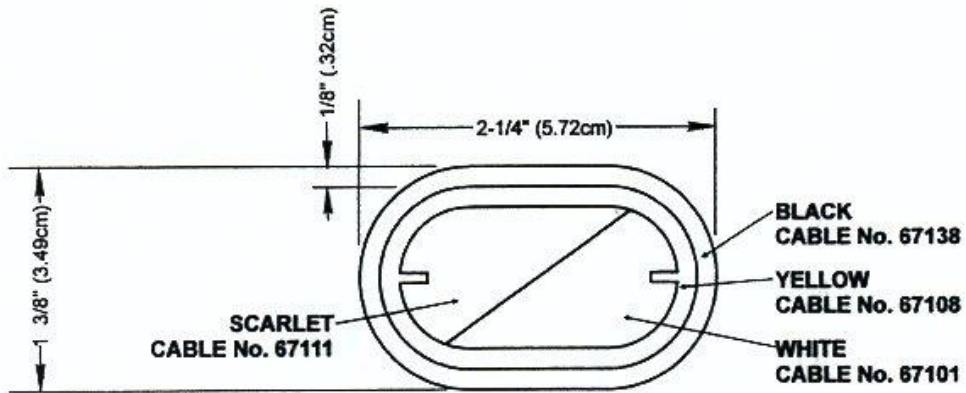
Scarlet	#67111
White	# 67101
Yellow	#67108
Black	#67138

3. This authorization does not grant exclusive use of the above colors and pattern design for the 1st Squadron, 32d Cavalry Regiment.

Charles V. Mugno
CHARLES V. MUGNO
Director

CF: CMH

REVISIONS			
LTR	DESCRIPTION	DATE	APPROVED



DESIGNED FOR OVEREDGE STITCHING

UNLESS OTHERWISE SPECIFIED DIMENSIONS ARE IN INCHES TOLERANCES ON FRACTIONS DECIMALS ANGLES	EXAMINED	TLC	THE INSTITUTE OF HERALDRY, DEPARTMENT OF THE ARMY 9325 GUNSTON RD, RM S-113 FORT BELVOIR, VA 22060-5579	
	CHECKED	<i>pm</i>	BACKGROUND TRIMMING FOR 1ST SQUADRON 32D CAVALRY REGIMENT	
MATERIALS: TO BE MANUFACTURED IN ACCORDANCE WITH MIL-DTL-14652	PREPARED	EA	SIZE	CONTROL IDENT. NO
	APPROVED	<i>Charles V. Mugno</i>	A	22571
		CHARLES V. MUGNO DIRECTOR	SCALE	DATE
			FULL	06 DECEMBER 2007
				A-6-265



**BACKGROUND TRIMMING FOR
1ST SQUADRON
32D CAVALRY REGIMENT**

Encl 3